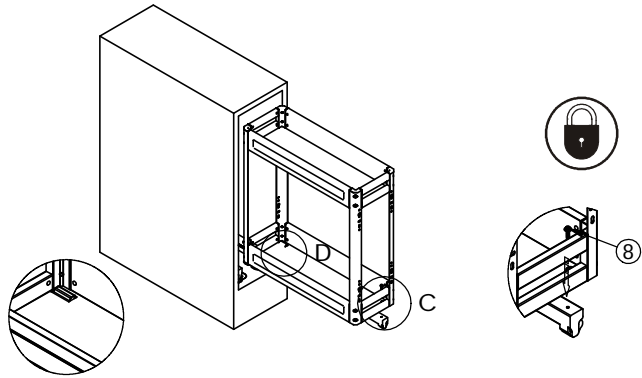




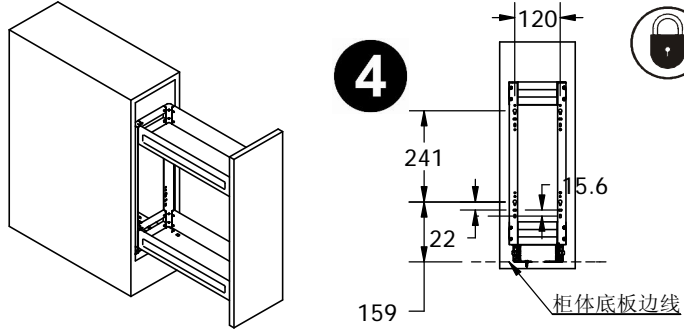
3、将篮体装于导轨上（如图示）

3

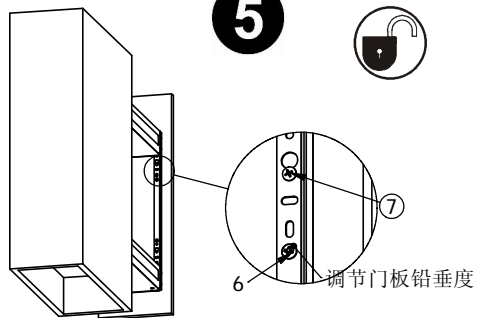


4、装门板（如图示）

4



5

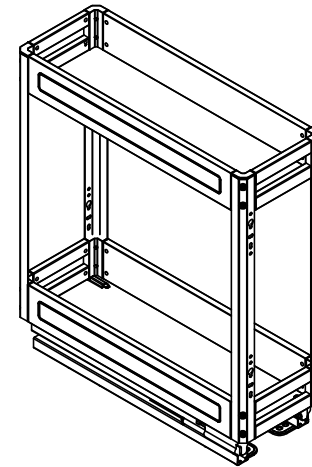


鸿盛香港有限公司
Hong Sheng Hong Kong Limited
Hong Kong Management Office
Suite 6307, 63/F Central Plaza, 18
Harbour Road, Wanchai, Hong Kong
国内客户服务热线: 4 000 168 883

www.hshko.com

不锈钢抽屉拉篮 安装说明书

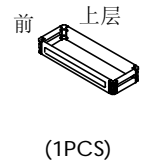
型号: E080720



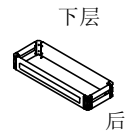
The picture is only for reference, please kindly refer to the real object only. Hong Sheng Hong Kong Limited reserves the ultimate power of interpretation.

图样仅供参考，以实物为准，本公司拥有最终解释权。
Designed by KANGYALE Made in china

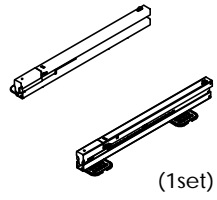
1



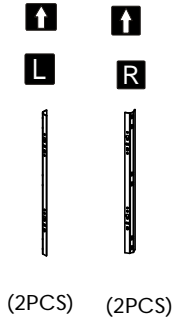
2



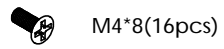
3



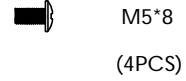
4



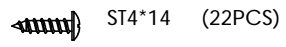
5



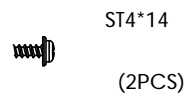
6



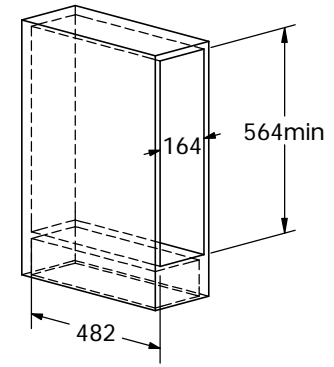
7



8



二、产品外形尺寸及适配柜体尺寸
产品外形尺寸：425*150*507



三、安装步骤

