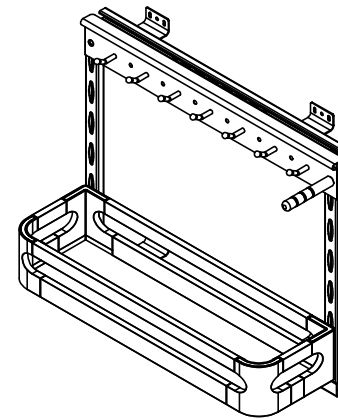
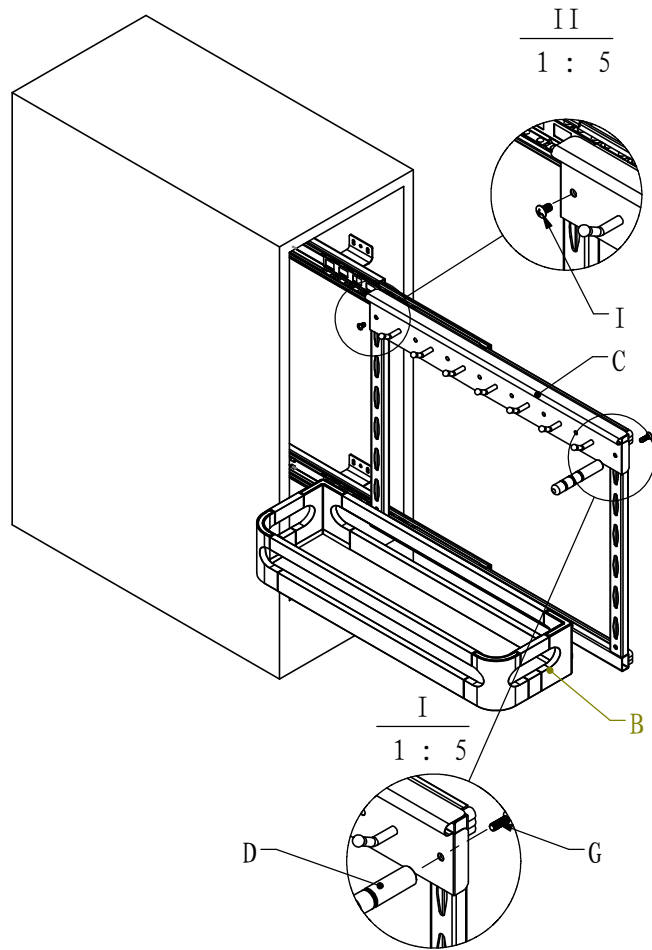


四、安装挂钩篮子



型号: E080625

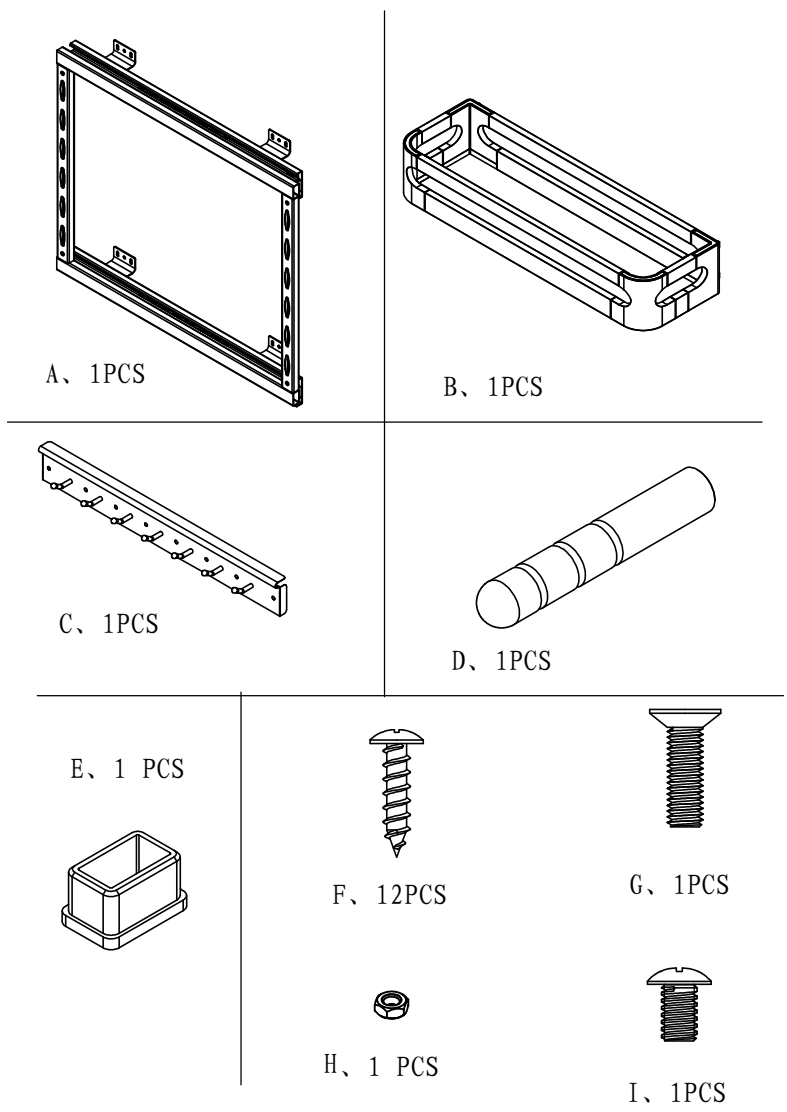
鸿盛香港有限公司
 Hong Sheng Hong Kong Limited
 Hong Kong Management Office
 Suite 6307, 63/F Central Plaza, 18
 Harbour Road, Wanchai, Hong Kong
 国内客户服务热线: 4 000 168 883

www.hshko.com

The picture is only for reference, please kindly refer to the real object only. Hong Sheng Hong Kong Limited reserves the ultimate power of interpretation.

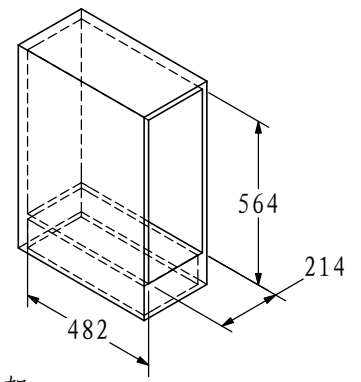
图样仅供参考，以实物为准，本公司拥有最终解释权。
 Designed by KANGYALE Made in china

一、配件清单



二、产品外观尺寸及适配柜体

产品外观尺寸; D472*W196*H426



三、安装步骤

1、装导轨主架

