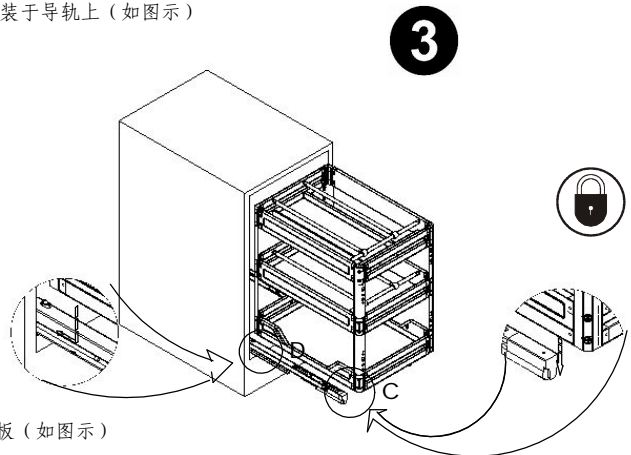
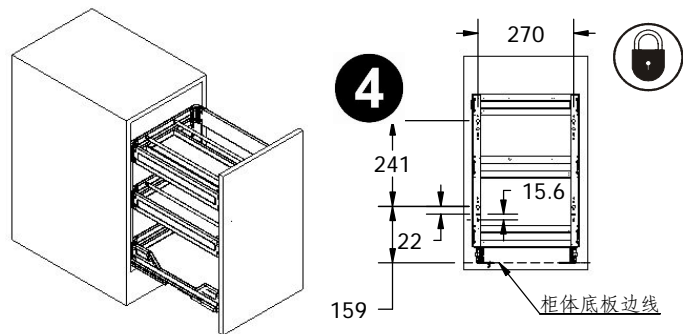




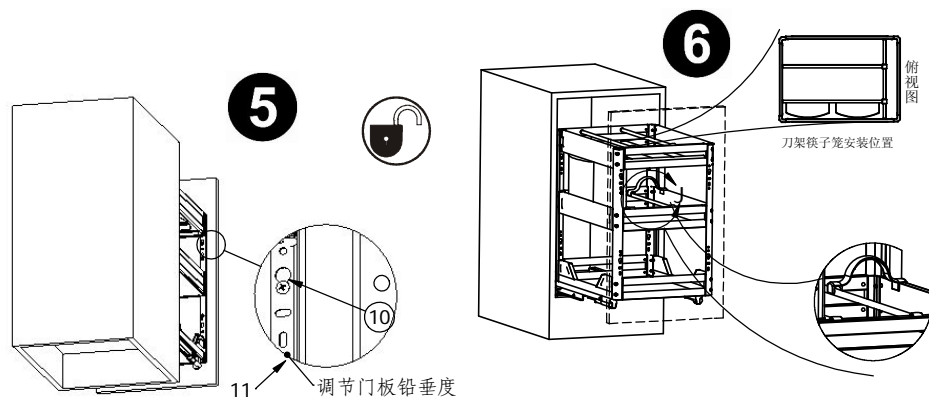
3、将篮体装于导轨上（如图示）



4、装门板（如图示）

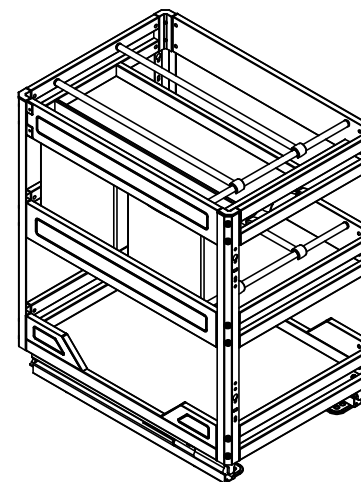


5、装入筷子笼及插刀架、挡瓶卡块，完成安装。



# 不锈钢抽屉拉篮 安装说明书

型号：E080535

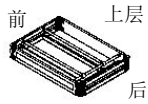


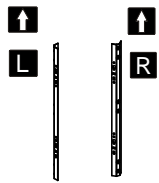
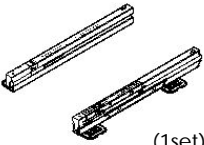
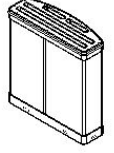
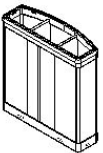

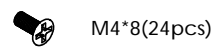
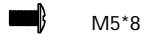
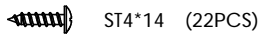
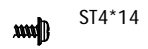


鸿盛香港有限公司  
 Hong Sheng Hong Kong Limited  
 Hong Kong Management Office  
 Suite 6307, 63/F Central Plaza, 18  
 Harbour Road, Wanchai, Hong Kong  
 国内客户服务热线：4 000 168 883

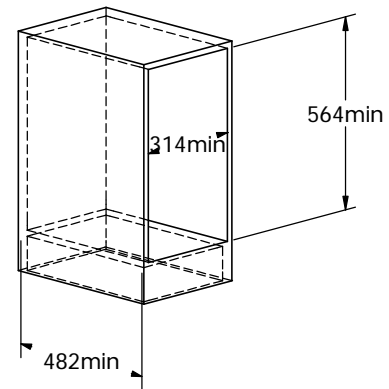
www.hshko.com

The picture is only for reference, please kindly refer to the real object only. Hong Sheng Hong Kong Limited reserves the ultimate power of interpretation.

图样仅供参考，以实物为准，本公司拥有最终解释权。Designed by KANGYALE Made in china

<p>①</p>  <p>(1PCS)</p>	<p>②</p>  <p>(1PCS)</p>
<p>③</p>  <p>(1PCS)</p>	<p>④</p>  <p>(2PCS) (2PCS)</p>
<p>⑤</p>  <p>(1set)</p>	<p>⑥</p>  <p>1PCS</p>
<p>⑦</p>  <p>1PCS</p>	<p>⑧</p>  <p>此卡块卡于中层 3PCS</p>
<p>⑨</p>  <p>M4*8(24pcs)</p>	<p>⑩</p>  <p>M5*8 (4PCS)</p>
<p>⑪</p>  <p>ST4*14 (22PCS)</p>	<p>⑫</p>  <p>ST4*14 (2PCS)</p>

二、产品外形尺寸及适配柜体尺寸  
产品外形尺寸: 425\*300\*507



三、安装步骤

